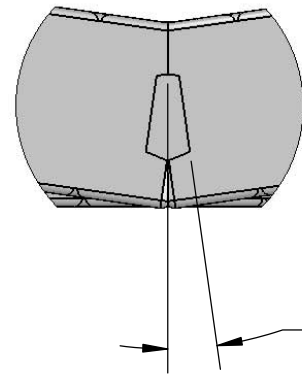


Ø DETERMINED BY CUT ANGLE



CUT TO DESIRED ANGLE



DRAWN BY  
R FONTANESI

DATE  
9/9/2016

TITLE:  
2&3-SIDED VARIABLE CURVE BLOCKS

16500 SOUTH 500 WEST  
BLUFFDALE, UTAH 84065  
PHONE: (801) 571-2028

DWG NO.  
WD-29

SCALE: 1: 30

SHEET 1 OF 1