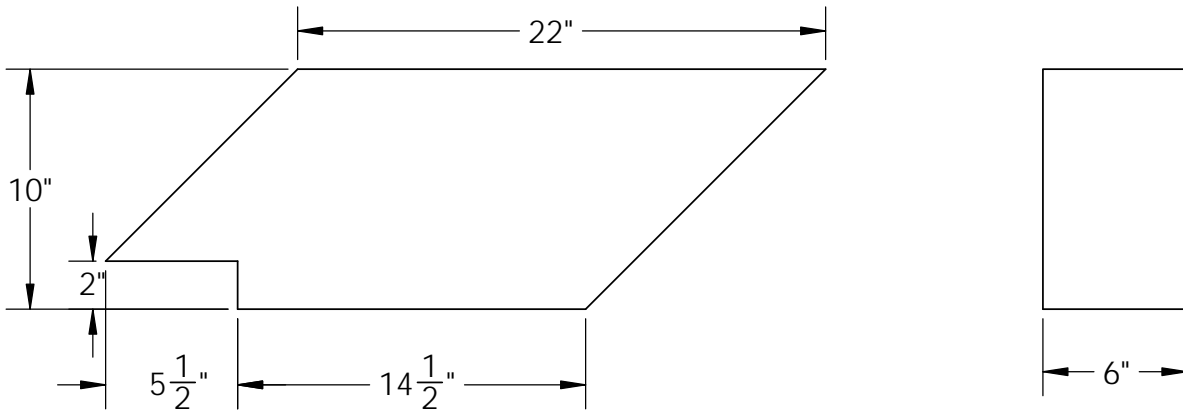
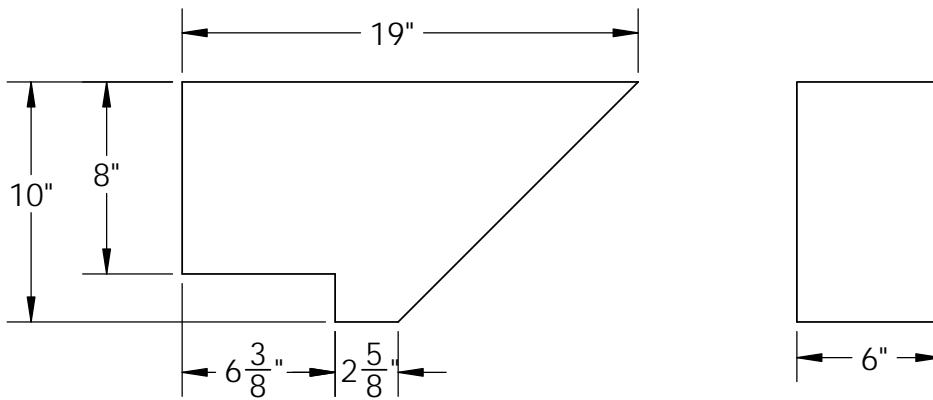


TOP STANDARD GAP INSERT



MASS INFO
 DESIGN UNIT WEIGHT = 142 pcf
 VOLUME = .72 cft
 INSERT WEIGHT = 102 lbs

TOP CORNER GAP INSERT



MASS INFO
 DESIGN UNIT WEIGHT = 142 pcf
 VOLUME = .44 pcf
 INSERT WEIGHT = 62 lbs



DRAWN BY	DATE
R FONTANESI	11/3/2017
16500 SOUTH 500 WEST BLUFFDALE, UTAH 84065 PHONE: (801) 571-2028	

TITLE: GAP INSERTS	
DWG NO. BD-15	REV. 01
SCALE: NA	WEIGHT: 107.81 SHEET 1 OF 1