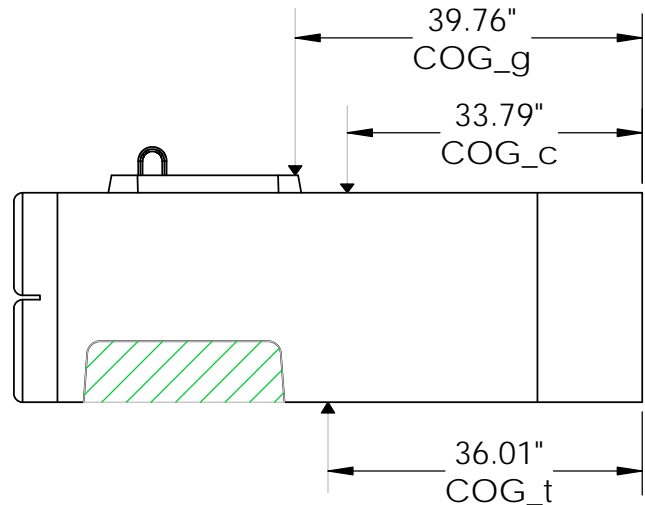
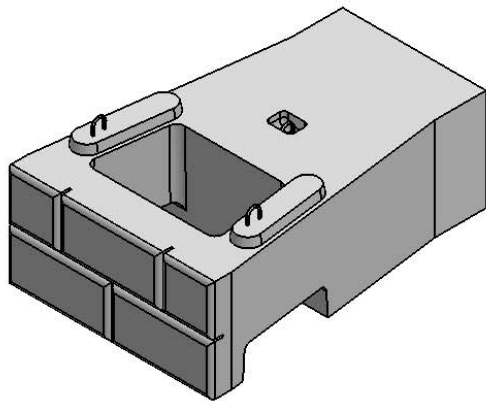
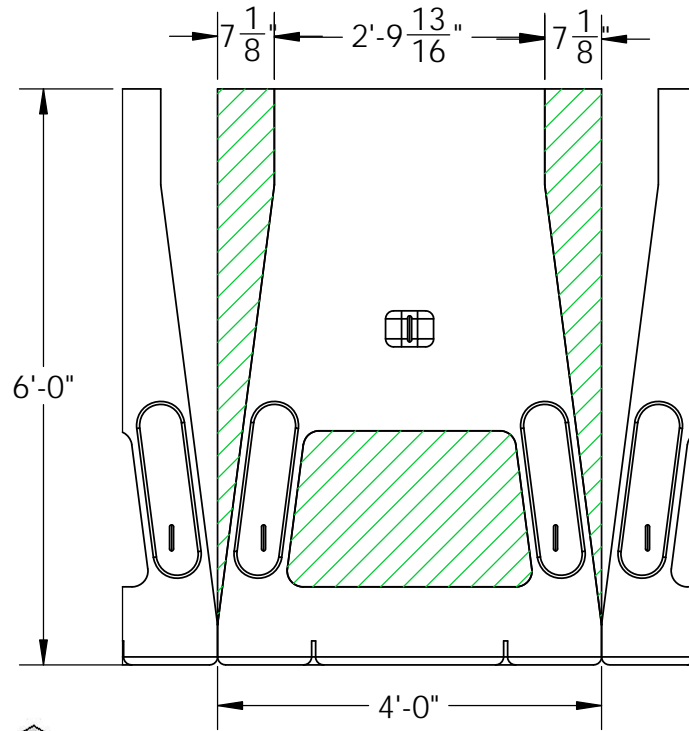


72" MASS EXTENDER BLOCK & GRAVEL INFILL



CONCRETE BLOCK DATA

DESIGN UNIT WEIGHT = 142 pcf
 VOLUME = 30.26 cft
 BLOCK WEIGHT = 4297 lbs
 CENTER OF GRAVITY (COG_c) = 33.79" (SEE NOTES)

GRAVEL INFILL DATA

DESIGN UNIT WEIGHT = 110 pcf
 VOLUME = 17.85 cft
 GRAVEL INFILL WEIGH = 1964 lbs
 CENTER OF GRAVITY (COG_g) = 39.76" (SEE NOTES)

COMBINED UNIT DATA

DESIGN UNIT WEIGHT = (4297 lbs + 1964 lbs)/48.11 cft = 130 pcf
 VOLUME = 30.26 cft + 17.85 cft = 48.11 cft
 TOTAL UNIT WEIGHT = 6261 lbs
 CENTER OF GRAVITY (COG_t) = 36.01" (SEE NOTES)

NOTES:

- VOLUME, WEIGHT AND COG CALCULATIONS WERE DONE USING CAD SOFTWARE.
- COG MEASUREMENTS ARE FROM BACK OF BLOCK



DRAWN BY: R FONTANESI
 DATE: 10/31/2016

16500 SOUTH 500 WEST
 BLUFFDALE, UTAH 84065
 PHONE: (801) 571-2028

TITLE: 72" MASS EXTENDER

DWG NO. BD-12

SCALE: 1: 30

SHEET 1 OF 1